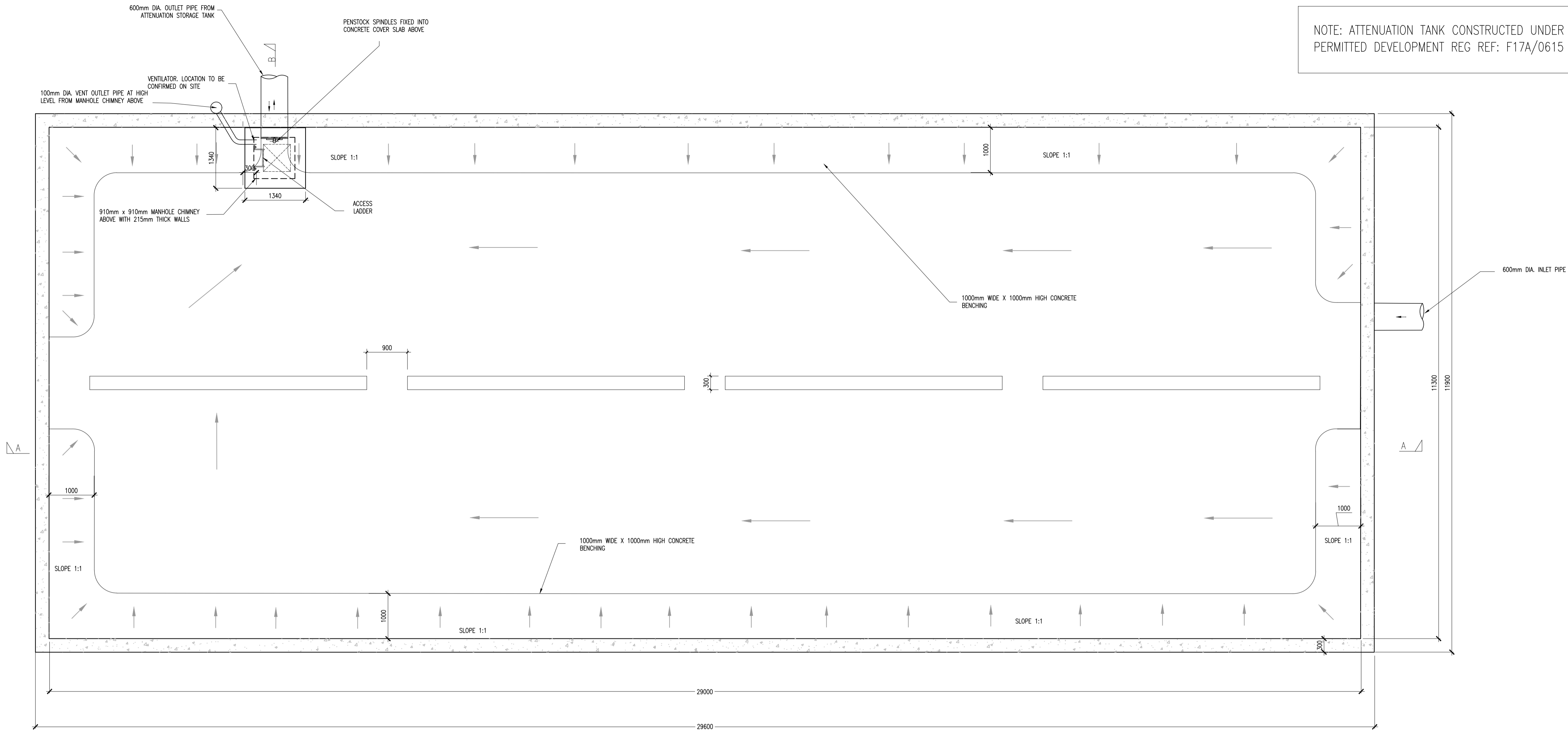


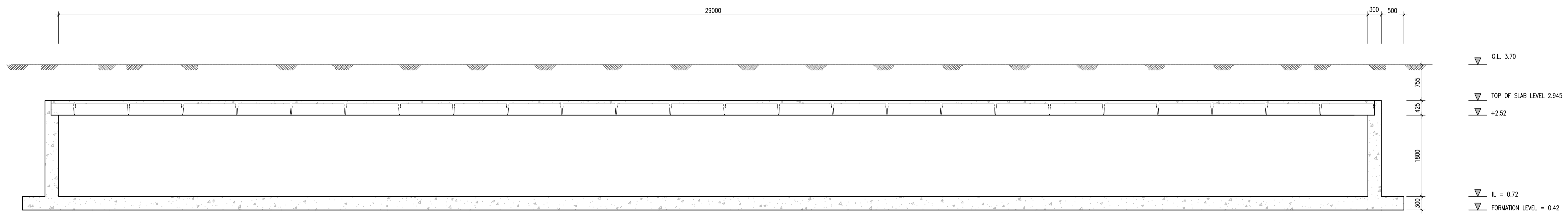
NOTE: ATTENUATION TANK CONSTRUCTED UNDER PERMITTED DEVELOPMENT REG REF: F17A/0615

- C20/25 CONCRETE TO HAVE A MINIMUM CEMENT CONTENT OF 260kg/m³, MAXIMUM WATER/CEMENT RATIO OF 0.65 AND SLUMP CLASS S2.
- C25/30 CONCRETE TO HAVE A MINIMUM CEMENT CONTENT OF 280kg/m³, MAXIMUM WATER/CEMENT RATIO OF 0.65 AND SLUMP CLASS S2.
- C40/50 CONCRETE TO HAVE A MINIMUM CEMENT CONTENT OF 400kg/m³, MAXIMUM WATER/CEMENT RATIO OF 0.45 AND SLUMP CLASS S3.
- WHERE CLASS F61/F62 CAPPING MATERIAL IS PROPOSED WITHIN 500mm OF CONCRETE OR STEEL, CLASS EN TO BE USED INSTEAD.
- WHERE FOOTPATHS ARE LOCATED ADJACENT TO ROADS, C40/50 CONCRETE TO BE USED. ALTERNATIVELY, FOOTPATHS LOCATED BEHIND VERGES C25/30 CONCRETE MAY BE USED.

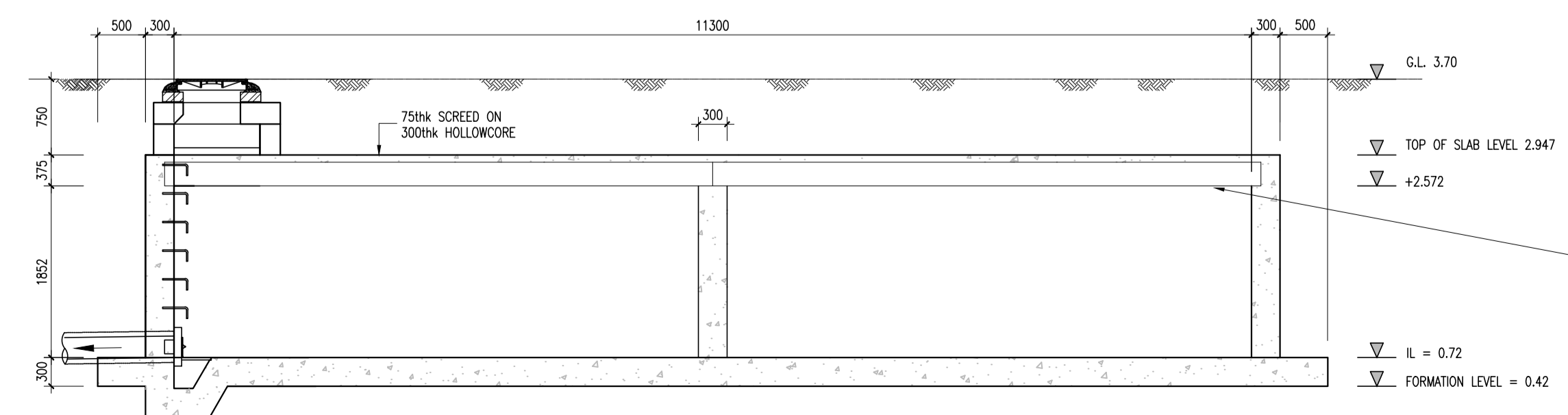
NOTE:
ALL WORKS & SPECIFICATIONS TO BE UNDERTAKEN IN ACCORDANCE WITH
• NRA SPECIFICATION FOR ROADWORKS
• GREATER DUBLIN CODE OF PRACTICE FOR DRAINAGE WORKS
• RECOMMENDATIONS FOR SITE DEVELOPMENT WORKS



ATTENUATION STORAGE TANK PLAN AT 1-1



SECTION A-A - ATTENUATION TANK - SOUTHWEST OF SITE
Scale 1:50



SECTION B-B - ATTENUATION TANK - SOUTHWEST OF SITE
Scale 1:50

ORDNANCE SURVEY IRELAND LICENCE
No EN 0017920
© ORDNANCE SURVEY IRELAND
GOVERNMENT OF IRELAND

rev	date	description	by	chkd.
P05	09-03-20	SHD SUBMISSION	RTM	SVC
P04	03-03-20	SHD SUBMISSION	RTM	SVC
P03	12-04-19	ISSUED FOR PRE-APP	APW	SVC
P02	08-04-19	ISSUED FOR PRE-APP	OAS	SVC
P01	15-03-19	ISSUED FOR INFORMATION	APW	SVC

client approval: A - Approved, B - Approved with comments, C - Do not use

suitability: S2 - SUITABLE FOR INFORMATION, issue purpose: PLANNING

DBFL Consulting Engineers
Civil, Structural & Transportation Engineering
www.dbfle.com

DUBLIN OFFICE: Ormond House, Upper Ormond Quay, Dublin 1, Ireland.
PHONE: +353 1 400 4000

WATERFORD OFFICE: Unit 2, The Chandlery, 1-7 O'Connell Street, Waterford, Ireland.
PHONE: +353 51 909 500

project ref:
RESIDENTIAL DEVELOPMENT AT SANTA SABINA, GREENFIELD ROAD, SUTTON, DUBLIN 13

drawing title:
STANDARD DETAILS SHEET 5 OF 6

client:
PARSIS LTD

designed by	author	scale	sheet size
SVC	RTM	VARIES	A1
drawing no.	revision		
190008-DBFL-XX-XX-DR-C-3014	P05		