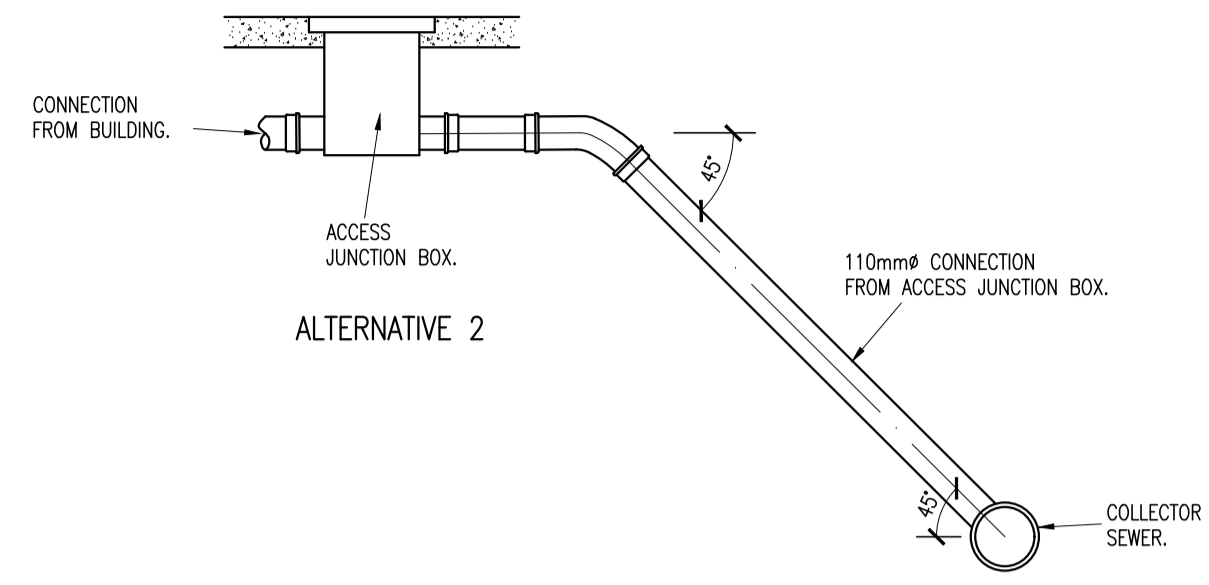
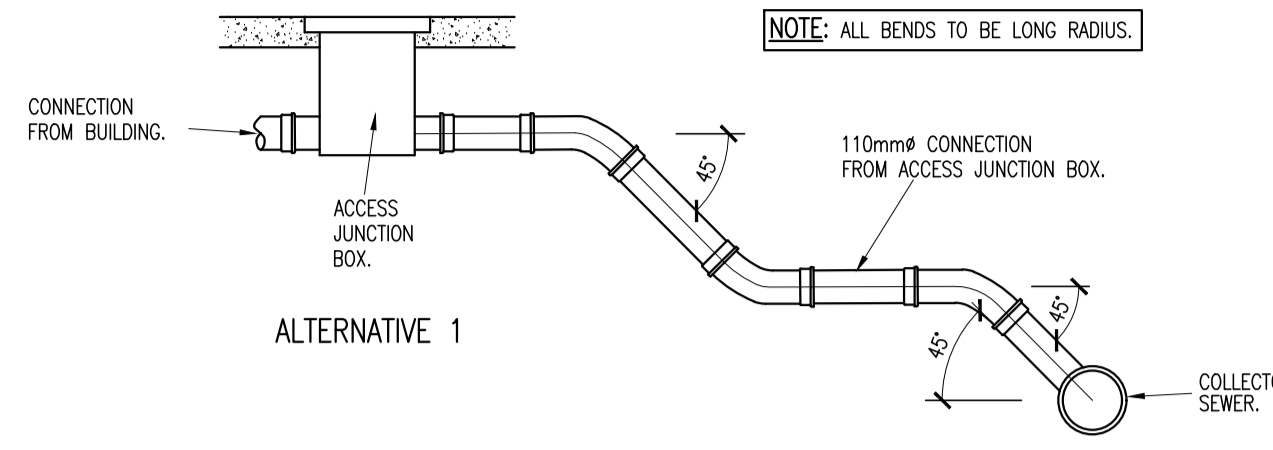
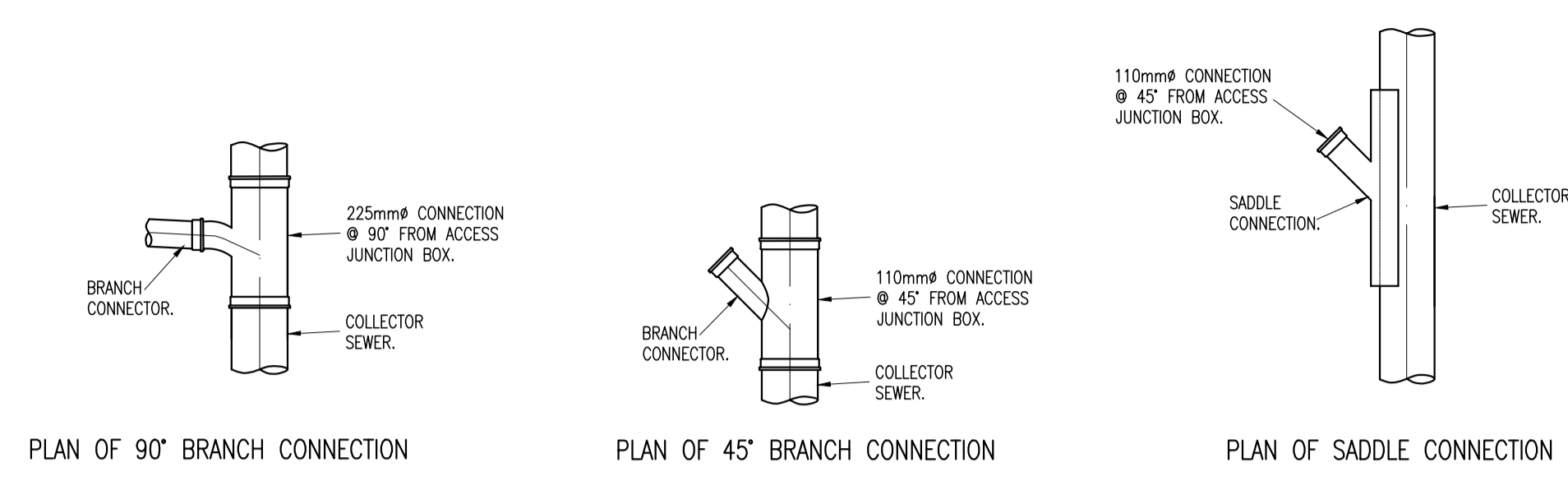


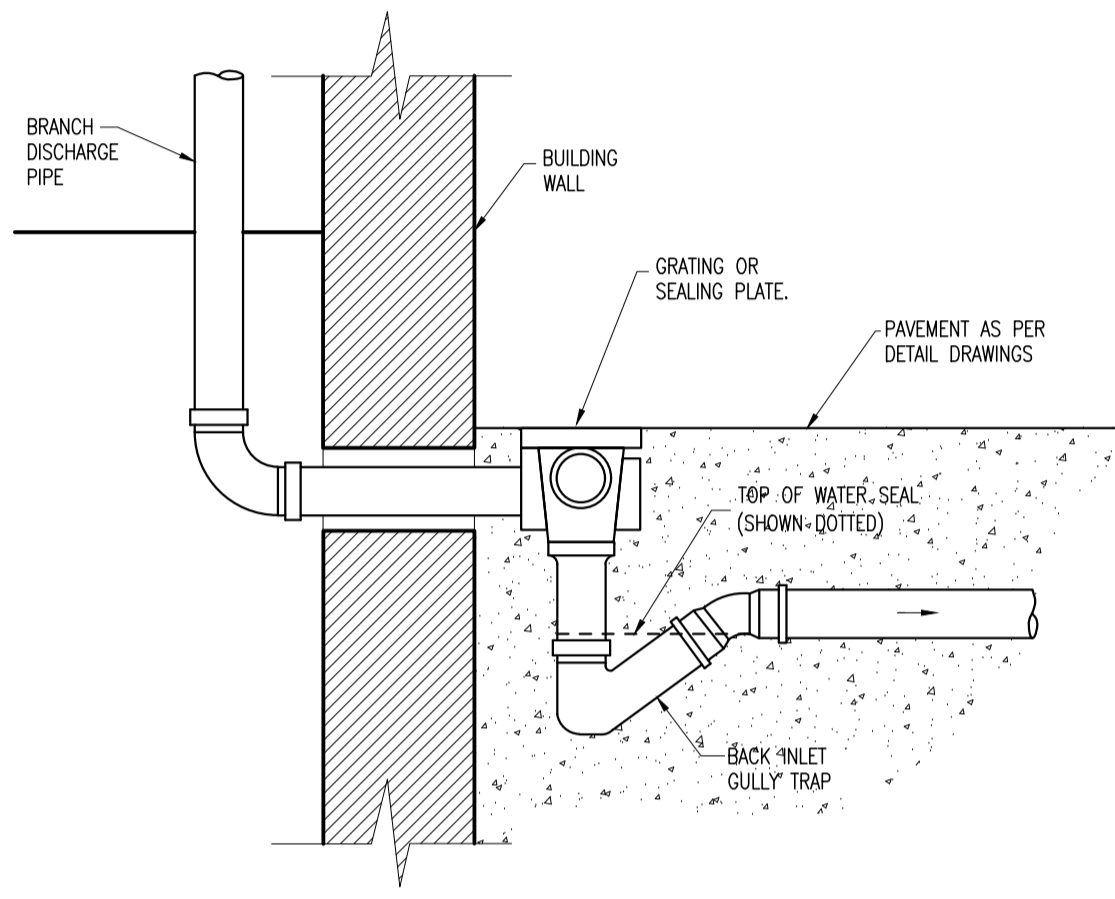
- C20/25 CONCRETE TO HAVE A MINIMUM CEMENT CONTENT OF 260kg/m<sup>3</sup>, MAXIMUM WATER/CEMENT RATIO OF 0.65 AND SLUMP CLASS S2.
- C25/30 CONCRETE TO HAVE A MINIMUM CEMENT CONTENT OF 280kg/m<sup>3</sup>, MAXIMUM WATER/CEMENT RATIO OF 0.65 AND SLUMP CLASS S2.
- C40/50 CONCRETE TO HAVE A MINIMUM CEMENT CONTENT OF 400kg/m<sup>3</sup>, MAXIMUM WATER/CEMENT RATIO OF 0.45 AND SLUMP CLASS S3.
- WHERE CLASS 6F1/6F2 CAPPING MATERIAL IS PROPOSED WITHIN 500mm OF CONCRETE OR STEEL, CLASS 6N TO BE USED INSTEAD.
- WHERE FOOTPATHS ARE LOCATED ADJACENT TO ROADS, C40/50 CONCRETE TO BE USED. ALTERNATIVELY, FOOTPATHS LOCATED BEHIND VERGES C25/30 CONCRETE MAY BE USED.

**NOTE:**  
ALL WORKS & SPECIFICATIONS TO BE UNDERTAKEN IN ACCORDANCE WITH

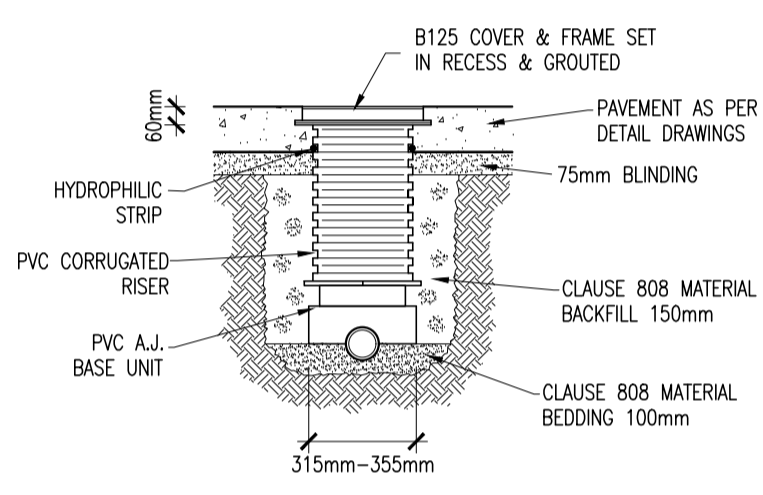
- NRA SPECIFICATION FOR ROADWORKS
- GREATER DUBLIN CODE OF PRACTICE FOR DRAINAGE WORKS
- RECOMMENDATIONS FOR SITE DEVELOPMENT WORKS



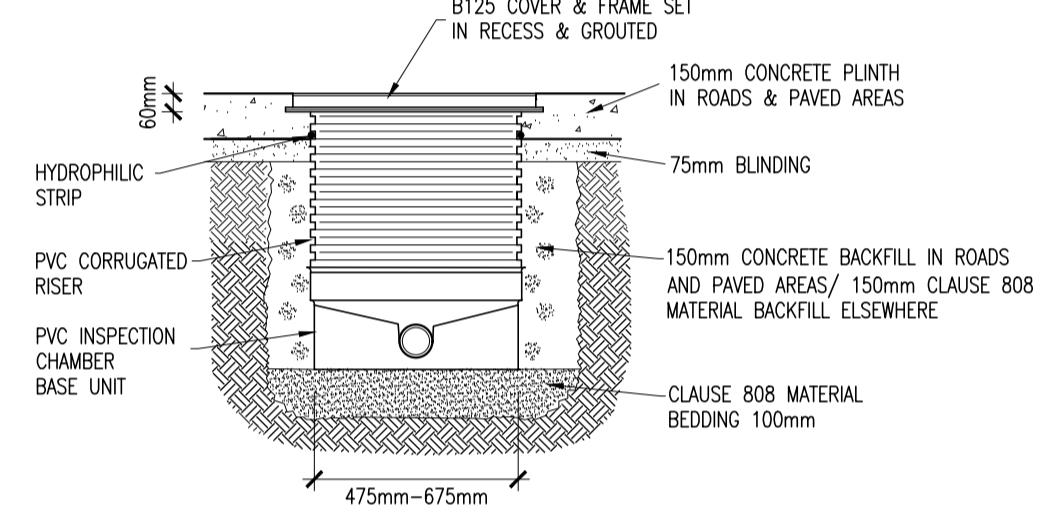
**SADDLE CONNECTION FROM ACCESS JUNCTION (A<sub>J</sub>) BOX TO COLLECTOR SEWER**



**BACK INLET GULLY TRAP FOR FOUL CONNECTIONS**



**A.J. DETAIL**



**INSPECTION CHAMBER**

ORDNANCE SURVEY IRELAND LICENCE  
No. EN 0017920  
© ORDNANCE SURVEY IRELAND  
GOVERNMENT OF IRELAND

rev	date	description	by	chkd.
P05	09-03-20	SHD SUBMISSION	RTM	SVC
P04	03-03-20	SHD SUBMISSION	RTM	SVC
P03	12-04-19	ISSUED FOR PRE-APP	APW	SVC
P02	08-04-19	ISSUED FOR PRE-APP	OAS	SVC
P01	15-03-19	ISSUED FOR INFORMATION	APW	SVC

client approval	A - Approved
	B - Approved with comments
	C - Do not use

suitability **S2 - SUITABLE FOR INFORMATION** issue purpose **PLANNING**

**DBFL** DBFL Consulting Engineers  
Civil, Structural & Transportation Engineering  
www.dbfl.ie

DUBLIN OFFICE: Ormond House, Upper Ormond Quay, Dublin 7, Ireland.  
PHONE: +353 1 400 4000

WATERFORD OFFICE: Unit 2, The Chandlery, 1-7 Canal Street, Waterford, Ireland.  
PHONE: +353 51 909 500

project ref.  
**RESIDENTIAL DEVELOPMENT AT SANTA SABINA, GREENFIELD ROAD, SUTTON, DUBLIN 13**

drawing title  
**STANDARD DETAILS SHEET 3 OF 6**

client  
**PARSIS LTD**

designed by	author	scale	sheet size
SVC	RTM	VARIES	A1
drawing no.	revision		
190008-DBFL-XX-XX-DR-C-3012	P05		